

USAGE AND SAFETY INSTRUCTIONS

Please read the following safety instructions thoroughly before attempting to use this product. Failure to read and follow safety instructions can result in serious injuries and/or accidents.

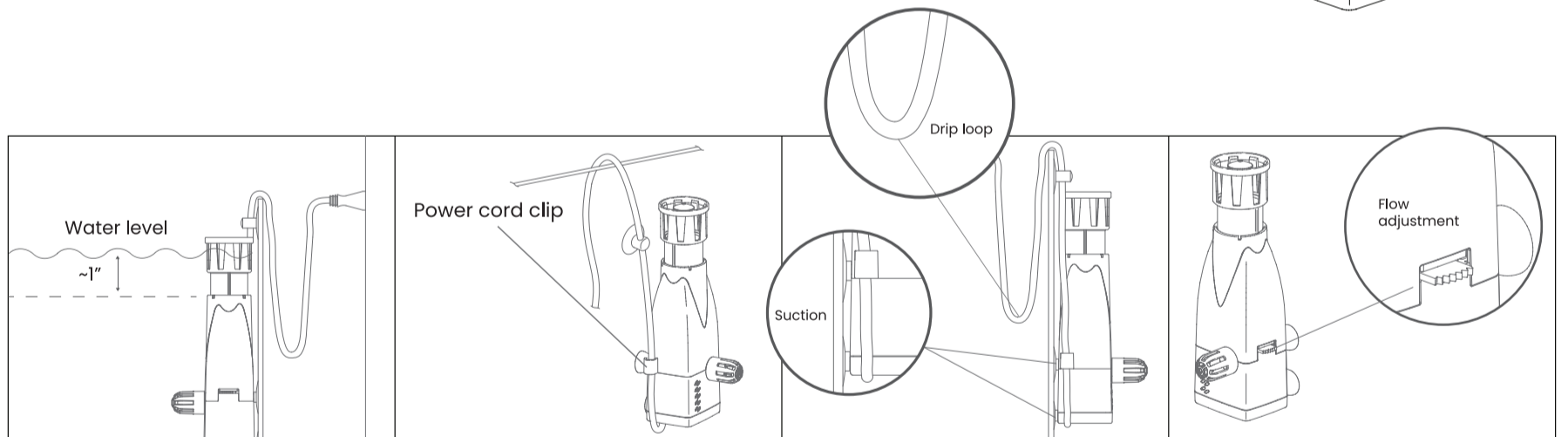
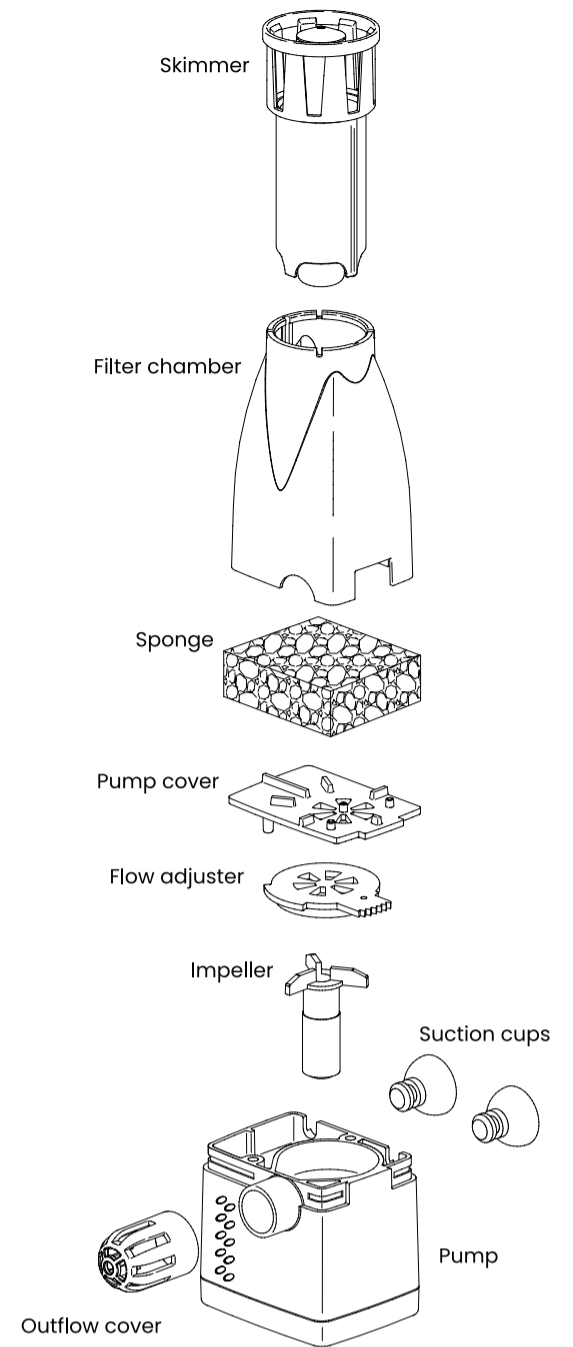
FOR MORE INFORMATION, PLEASE VISIT: www.ultumnaturesystems.com/filtration

- For indoor and aquarium use only.
- If the electrical cord or plug shows any damage, stop using immediately.
- Check that the voltage corresponds to the voltage of your electrical outlet.
- If the unit begins to operate abnormally, stop use immediately.
- Always unplug the unit before reaching into an aquarium and/or performing routine maintenance.
- Smaller livestock such as fry and freshwater shrimp can become trapped inside the unit. To remove trapped livestock, unplug the unit and gently submerge the filter into the aquarium to release trapped livestock.
- To prevent food from being sucked into the filter, unplug during feeding.
- Do not perform any modifications to the unit. Doing so may result in damage to the unit and/or injury.
- DO NOT supply power to the unit outside of an aquarium. This product is intended to be submerged and used underwater only.
- To ensure optimal performance and increased product longevity, routine filter maintenance should be performed.
- To avoid damage to the unit's impeller and pump, ensure the sponge is seated correctly at all times before use.
- Always create a drip loop along the power cord to avoid spillage and potential electrical damage.
- Keep away from children and small pets.

SETUP GUIDE

Before usage and installation, thoroughly inspect the unit for any defects, damages or missing parts. If a part is missing or damaged, contact your Ultum Nature Systems dealer immediately.

1. Position top of the unit to be approximately 1" beneath the aquarium's surface level.
2. Lift skimmer to water level.
3. Run power cord up and through security clip located near the suction area.
4. Adjust flow rate to desired level.
5. Plug in unit to compatible electrical outlet to start operation.



WARRANTY INFORMATION

In the rare case that the unit you have received is defective, Ultum Nature Systems provides a one year limited warranty. Please take some time to register your new product at: www.ultumnaturesystems.com/product-registration to expedite a potential future warranty claim.

Ultum Nature Systems warrants, to the original buyer, Delta Mini to be of the highest quality in material, craftsmanship and free of defects for a limited warranty of one year, effective starting from the original date of purchase.

Under limited warranty, Ultum Nature Systems will replace or refund any product confirmed to be defective due to manufacturer flaws based on eligibility. This warranty extends only to personal use and does not include any product that has been used for commercial or rental purposes, or any other use in which this product is not intended for. The warranty is voided if the product has been subjected to abuse, tampering, modification or repair done by personal self, another person or by a non-qualified company. This warranty excludes damage due to normal wear and tear and is not warranted against moisture or water damage.

This warranty is non-transferrable. Ultum Nature Systems assumes no liability and is not responsible in any way for any loss, damage or inconvenience caused by equipment failure or user error, negligence, abuse or use that is noncompliant with the safety instructions and warnings included.

ALL EXPRESS AND IMPLIED WARRANTIES ARE LIMITED TO THE PERIOD OF THE ORIGINAL WARRANTY.