

ATTENTION

●For Aquarium Use Only: Improper or negligent use of this product may result in serious bodily harm and damage of property. Be sure to use the product only according to the manufacturer's instruction. ●Before the installation, please make sure to read this instruction manual carefully and understand all of its directions. Please do NOT use this product without understanding the proper usage. ●In the course of continuous use of this product, make sure that each connection is securely connected without any water leakage or water splash out of the aquarium. ●When using this product with MIZUKUSA MIST WALL STAND60, choose a location to install the aquarium considering the possibility of water splash out of the aquarium depending on how the plants grow. ●Handle with care and avoid vibration or impact to this product to prevent damage. ●Use this product with the external filter and aquarium tank that are designated in this instruction manual. This product may not perform its original function if it is combined with other filter and aquarium tank. ●Install this product in the compatible aquarium tank designated by ADA. This product is made of acrylic material. Do not clean this product with hot water at more than 40°C, alcohol, thinner or benzene. Otherwise, deterioration or deformation may result.

1. Product Features of MIZUKUSA MIST WALL 60

*Please read carefully

○MIZUKUSA MIST WALL 60 is a planted aquarium cultivating system using ADA's unique Wabi-Kusa and Wabi-Kusa Mat that allows you to enjoy a natural scene with emerged leaves of aquatic plants on a wall. Connect this product to a separately sold ADA SUPER JET FILTER ES-150 Ver.2 (ADA NATURE AQUARIUM) and Mistflow(DOOA).

○Compatible filter : SUPER JET FILTER ES-150 Ver.2 (Flow rate: 3.5L/min, Max. pump head: 1.5m)

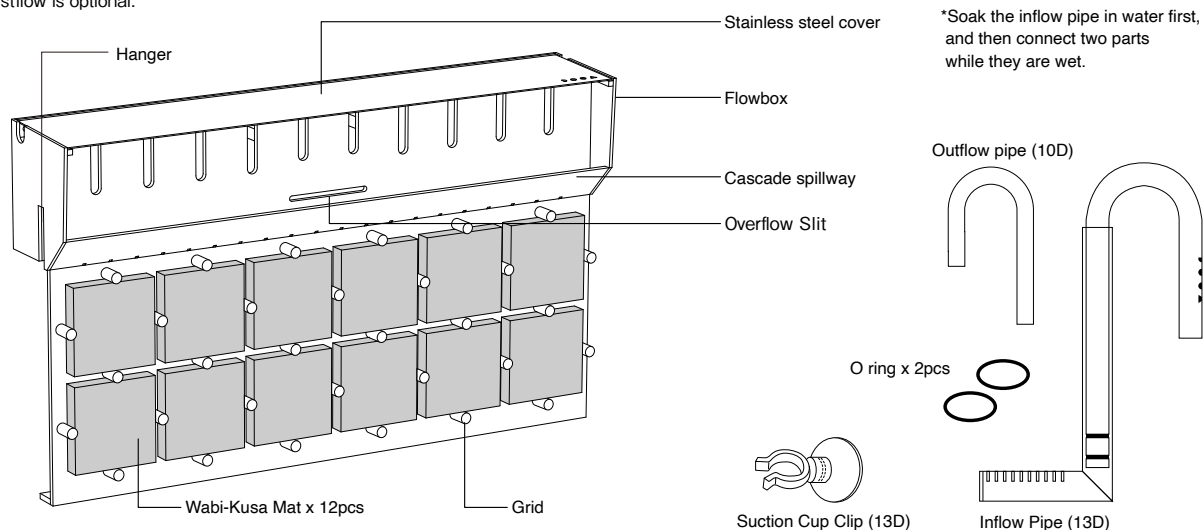
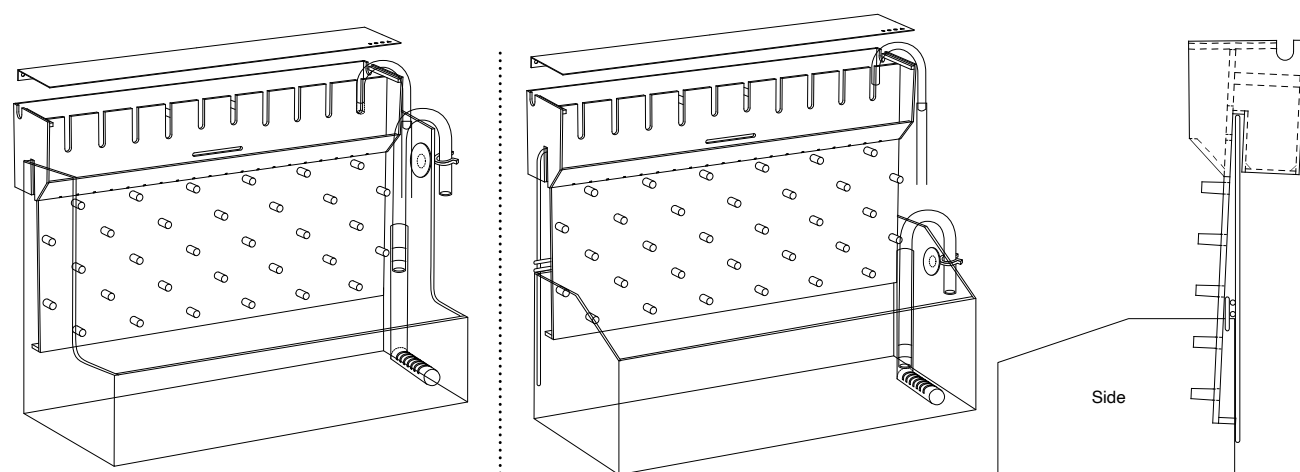
○Compatible tank : DOOA NEO GLASS TERRA(H23),

CUBE GARDEN W60×D30×H18 (cm), W60×D30×H36 (cm), W60×D30×H45 (cm) (ADA NATURE AQUARIUM) *Suitable glass thickness up to 6mm

2. Parts

*Before setting up this product, make sure that all the parts are included in the package.

*Mistflow is optional.

**3. Usage**

●When using this product with DOOA NEO GLASS TERRA H36 (glass thickness: 5mm) or ADA NATURE AQUARIUM CUBE GARDEN W60×D30×H36 (cm) (glass thickness: 6mm): Hang the hanger of this product securely on the rear wall of the tank. (Continue to the common procedures below)

●When using this product with DOOA NEO GLASS TERRA H23: Install a separately sold MIZUKUSA MIST WALL STAND to NEO GLASS TERRA H23. Be careful not to scratch or damage the glass surface. Hang the hanger of this product securely on MIZUKUSA MIST WALL STAND. (Continue to the common procedures below)

*WABI-KUSA WALL STAND is unavailable for MIZUKUSA MIST WALL due to insufficient strength

(Common procedures)

① Connect the inflow and outflow pipes to SUPER JET FILTER ES-150 Ver2 with included hose.

② The height of inflow pipe can be adjusted according to the water level by sliding the inflow pipe. Make sure that two pieces of O-ring have been mounted before using the inflow pipe. Do not allow air to come into the pipe.

③ Make sure that the outflow pipe has been securely fixed (The outflow pipe is not permanently attached to this product. Its position can be adjusted by turning) then run SUPER JET FILTER ES-150 Ver.2 according to its operation manual.

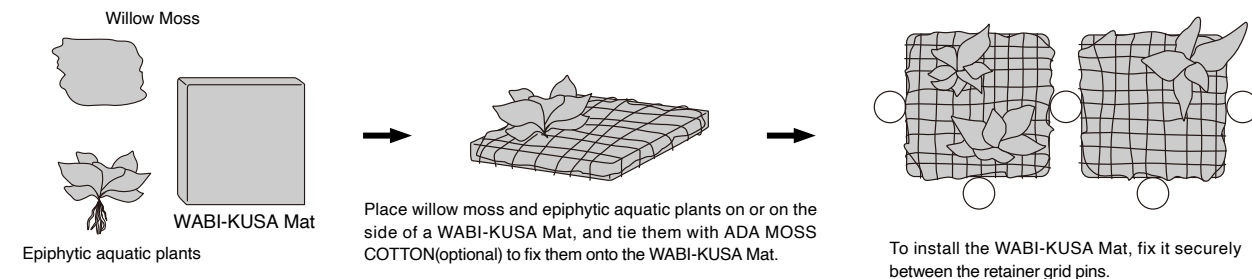
④ Regardless of usage and installation method, make sure that there is no water leakage from the pipe joints and other locations after you start the filter. In 30 – 60 minutes after the start of the filter, make sure of the normal operation of the filter without any troubles including water leakage. If any abnormal symptom is observed, stop using the filter immediately and check again if there is any problem in connections or installation. Do not use the filter unless troubleshooting has been done.

○ Usage of WABI-KUSA Mat

• Please shake and squeeze lightly in a bucket filled with water before use. It removes powder dust attached at the time of processing, and the water easily spread on the mat.

• If you use Moss Cotton when fixing willow moss on a WABI-KUSA Mat, the water is provided to Willow Moss on the mat due to the water-absorbing property of Moss Cotton, and a good growing environment will be maintained. Willow Moss is provided with water evenly by winding Moss Cotton if it is wound in a grid with a width of 0.5 to 1 cm.

• Since live aquatic plants such as ferns and Anubias are very delicate until they take roots in the mat, please prepare a plant with emerged leave in a good condition. Cut the damaged leaves and roots, and wrap the stems and roots with Willow Moss, and fix them on the WABI-KUSA Mat.



○ Tips on management of aquatic plants in an emerged condition

• Depending on the species and condition of aquatic plants attached to the Wabi-Kusa Mat as well as on the surrounding humidity, it is recommended to take a temporary measure against dehydration of plants such as covering the front and sides of the tank with plastic wrap in the initial set-up period.

• It will be easier to draw in water if the Willow Moss etc. is put on the side of the upper side of the WABI-KUSA Mat, and the water retention of the WABI-KUSA Mat will be enhanced.

• Please mist plenty of water with a hand spray at least once a day.

4. Other precautions

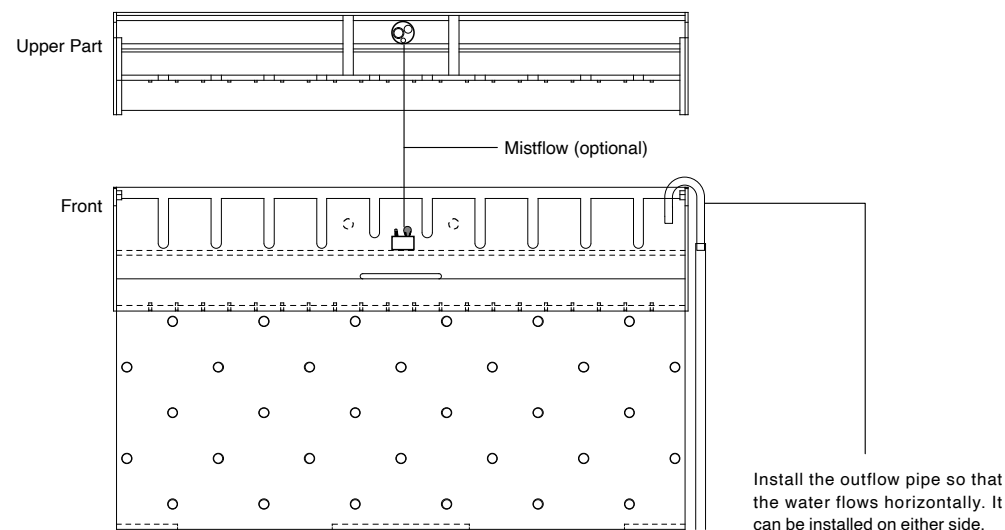
○ Dirt and algae build up on the Cascade spillway. Before water flow is affected by dirt/algae, remove them with a Cascade Brush S(DOOA) to keep this part clean.

○ Fix Wabi-Kusa and Wabi-Kusa Mat in place firmly using the retainer grid pins. Up to 12 pieces of 9Ø Wabi-Kusa can be installed between the grid pins.

○ The use of ADA MOSS COTTON (optional) or RICCIA LINE(optional) is recommended to attach Willow Moss and epiphytic plants to Wabi-Kusa Mat.

○ If you start the filter and run water without attaching Wabi-Kusa and Wabi-Kusa Mat between the retainer grid pins, the water falling from the cascade spillway may splash over the surrounding of the aquarium.

○ This product is designed in such a way that if the outflow point is heavily clogged due to dirt buildup on the cascade spillway or if it is connected to a filter with flow rate of more than 3.5L/min, the water flows out to the back of this product through the overflow slit.



Install the outflow pipe so that the water flows horizontally. It can be installed on either side.